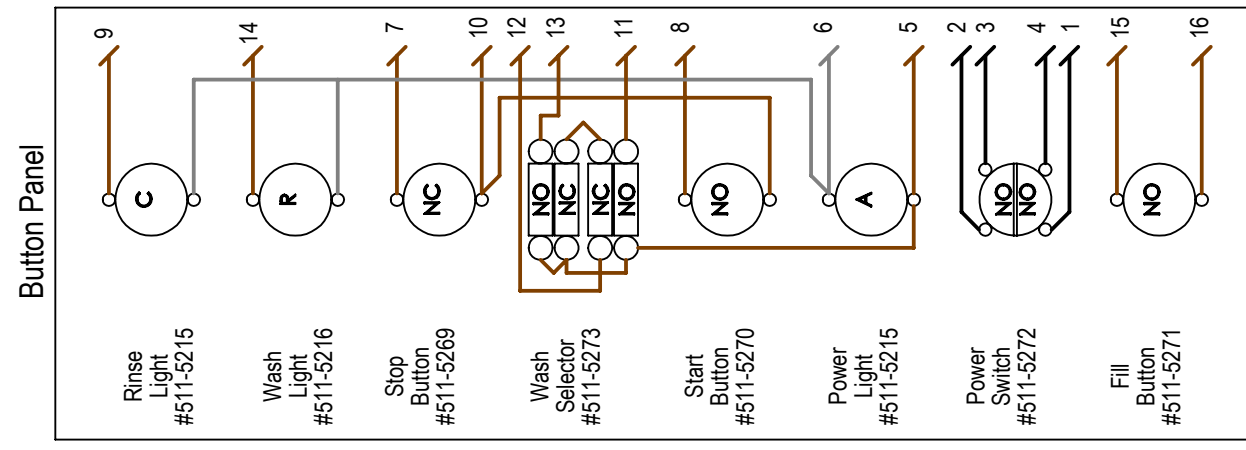
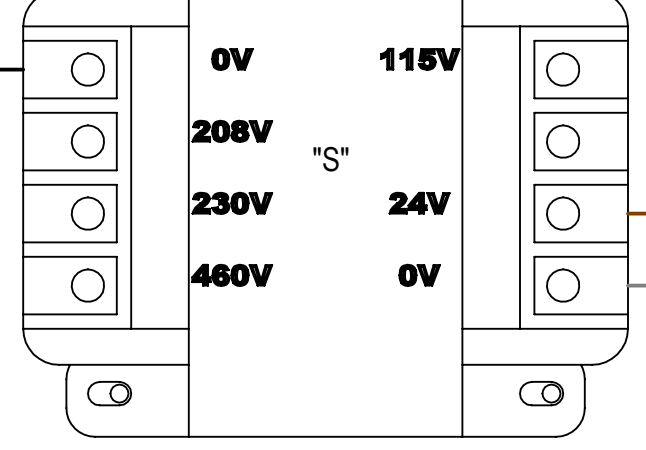


Incoming 3 Phase Power Connection



Lower Terminal Blocks				
Soap	To 24VAC Soap Dispenser	W	From Wash High Limit	T2/From Door Switch
T3 & T4	To Rinse Solenoid	R	From Rinse High Limit	Fill To Fill Solenoid
4	From Float	C & H	To Temp Controls	-
1	To Float	T1	To Door Switch	-

Logic Control Inputs	
11	Float
12	Door Switch
13	Stop Button
14	Start Button
15	Light Wash
16	Medium Wash
17	Heavy Wash
18	Fill Button

Logic Control Outputs	
Q1	Fill Solenoid
Q2	Wash Light
Q3	Pump
Q4	Rinse Solenoid
Q5	Fan
Q8	LWCO

Fuse Table		
208V/230V Primary	3 Amp	
460V Primary	2 Amp	
24V Secondary	12 Amp	

ITEM	DESCRIPTION	PART # (208V/230V)	PART # (460V)
A	PUMP BREAKER	511-5021	511-5346
B			
C	WASH HEAT BREAKER		
D		511-5347	511-5343
E			
F	RINSE HEAT BREAKER		
G			
H	PUMP CONTACTOR	511-5298	511-5296
I			
J	WASH HEAT CONTACTOR		
K		511-5294	
L			
M	RINSE HEAT CONTACTOR		
N			
O	PUMP OVERLOAD	511-5309	511-5306
P	FAN BREAKER	511-5340	
Q	FAN CONTACTOR	511-5290	
R	FAN OVERLOAD	511-5300	
S	TRANSFORMER	511-5056	
T	PRIMARY FUSE	511-5130	511-5045
U	24V SECONDARY FUSE	511-5181	
V	LOGIC CONTROL	511-5314	

Name: RW2580 Schematic - Electric Heat

LVO Manufacturing, Inc  
808 N 2nd Ave E  
Rock Rapids, IA 561246  
Phone: (712) 472-3734



Rev. -

1/29/2015 C. Wood