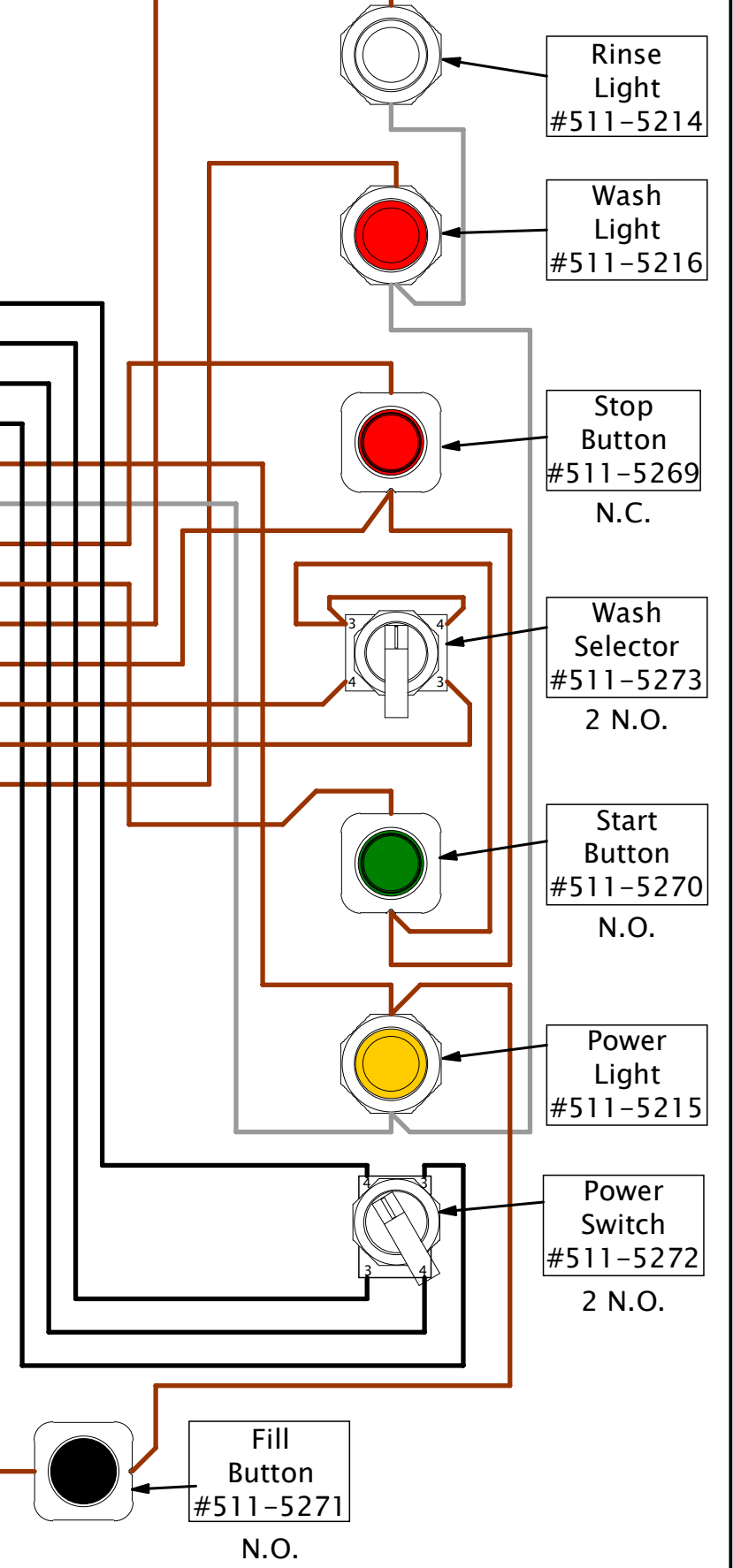
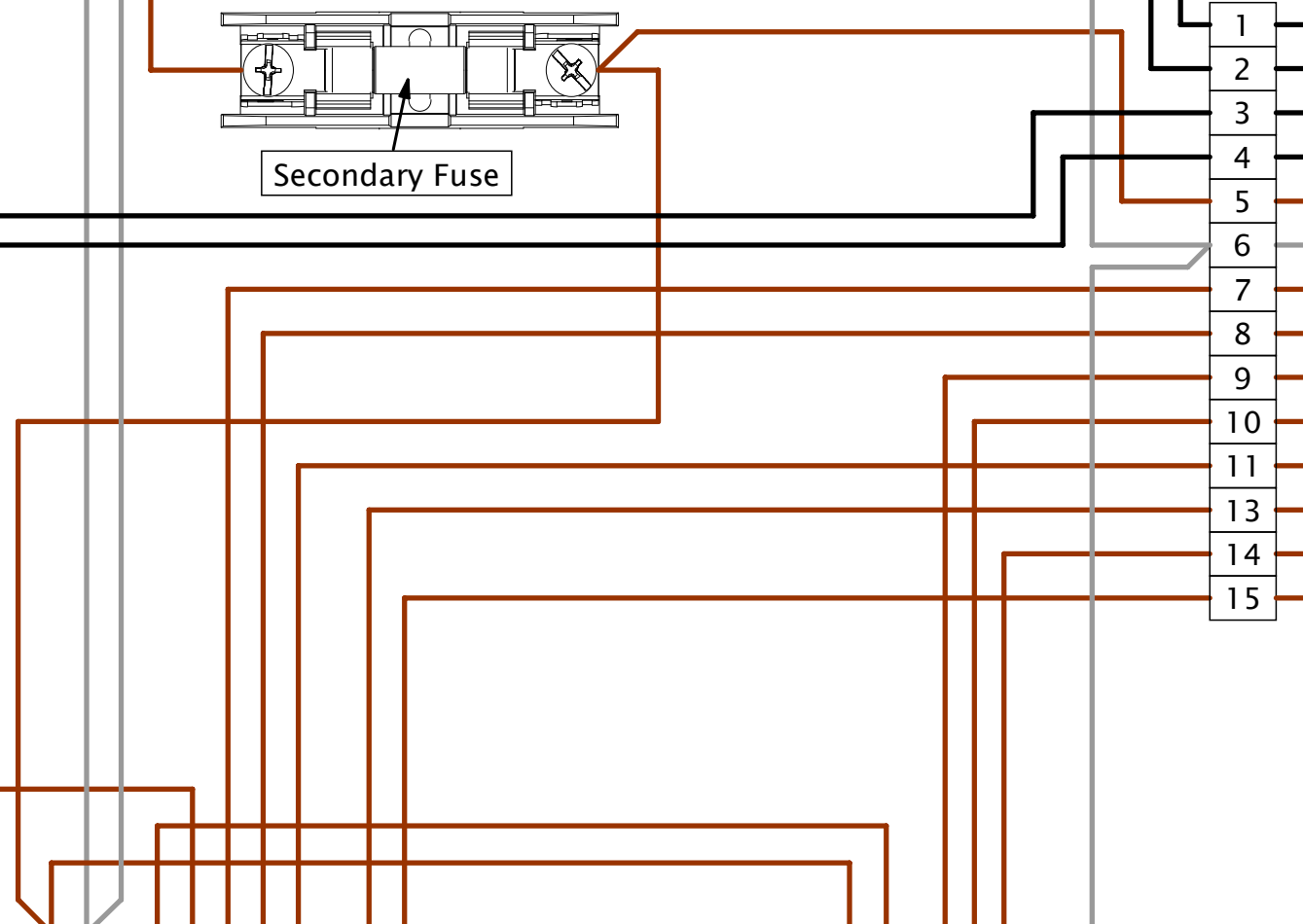
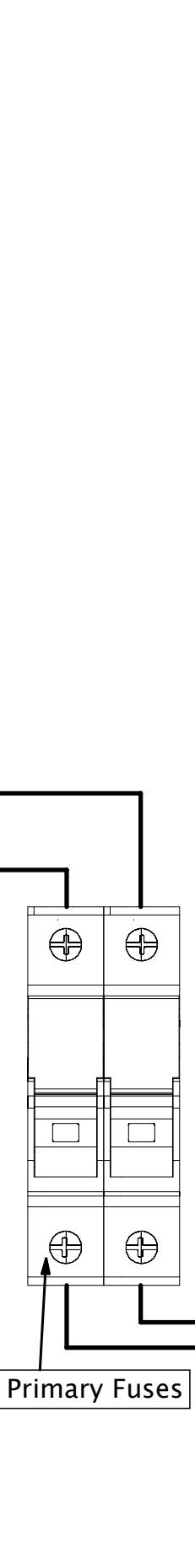
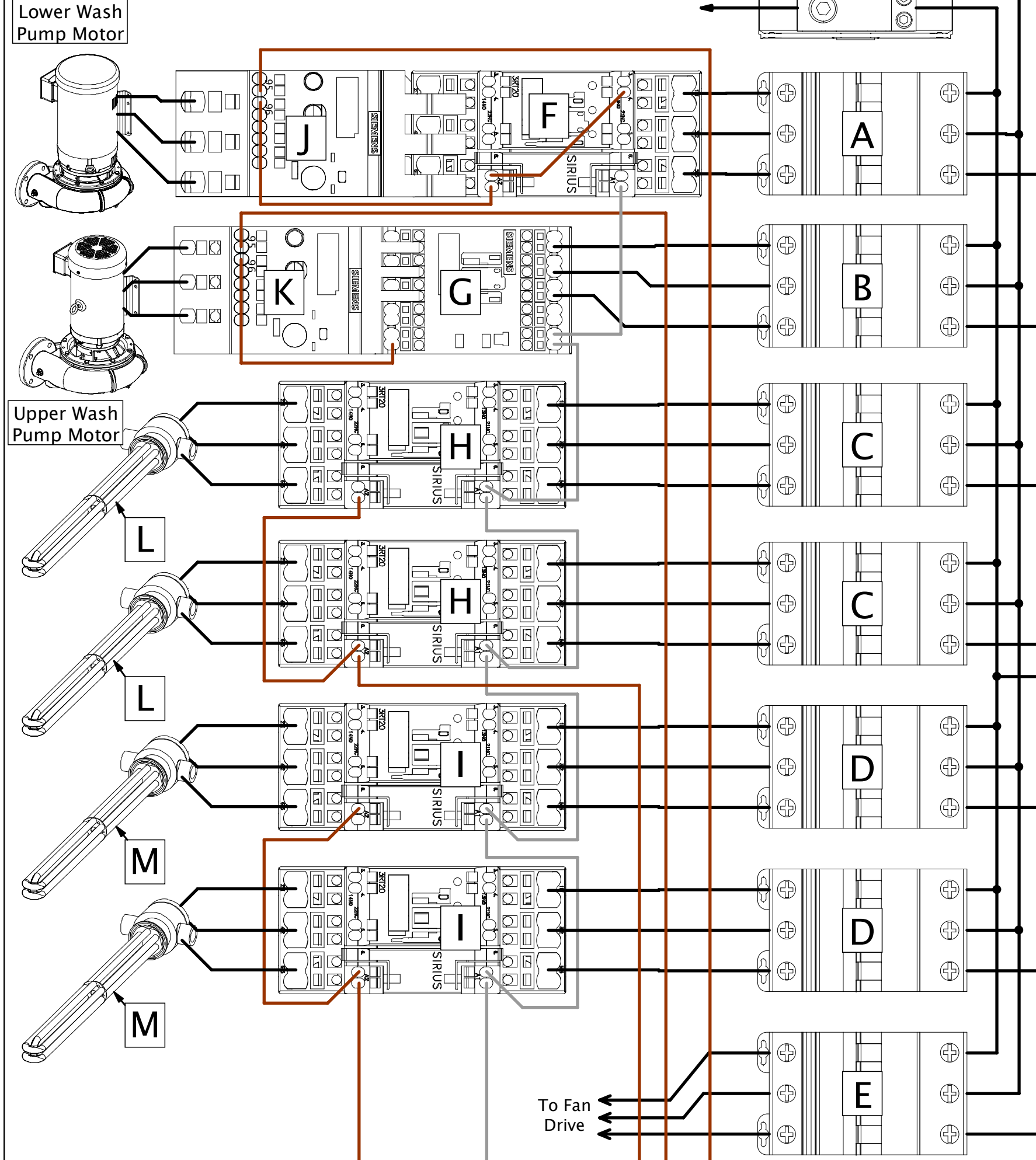
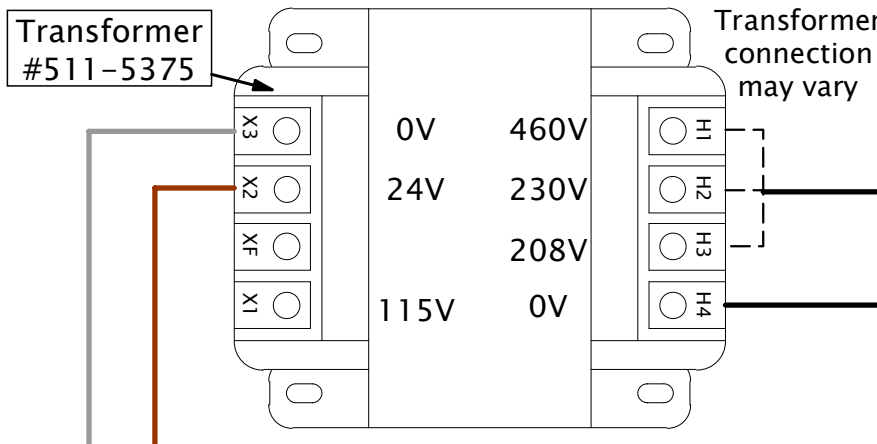


Incoming Power Connection



**Control Panel Legend**

Line	Common
24VDC	24VAC

External Wires May Vary

**Fuse Table**

Voltage	Fuse Rating	Part #
208V/230V Primary	2 Amp	511-5045
460V Primary	1.5 Amp	511-5376
24V Secondary	6 Amp	511-5377

ITEM	DESCRIPTION	PART # (208V/230V)	PART # (460V)
A	Lower Pump Breaker	511-5347	511-5343
B	Upper Pump Breaker	511-5343	511-5341
C	Wash Heat Breaker	511-5347	511-5343
D	Rinse Heat Breaker	511-5347	511-5343
E	Fan Breaker	511-5340	
F	Lower Pump Contactor	511-5295	511-5293
G	Upper Pump Contactor	511-5293	511-5291
H	Wash Heat Contactor	511-5294	
I	Rinse Heat Contactor	511-5294	
J	Lower Pump Overload	511-5307	511-5304
K	Upper Pump Overload	511-5304	511-5302
L	Wash Heating Element	509-5220 (208V)	509-5224
M	Rinse Heating Element	509-5221 (230V)	509-5224
N	Fan Drive	511-5355	511-5356

**Logic Control**

Inputs	Outputs
I1 Float Switch	Q1 Low Speed Fan
I2 Door Switch	Q2 Wash Light
I3 Stop Button	Q3 Pump
I4 Start Button	Q4 Rinse/Fill & Gauge Solenoids
I5 Light Wash	Q5 Fan
I7 Heavy Wash	Q8 LWCO
I8 Fill Button	



Parts List

\*\*NOT TO SCALE\*\*

LVO Manufacturing, Inc  
808 N 2nd Ave E  
Rock Rapids, IA 51246  
Phone: (712) 472-3734

Name: RW1548 Electric Heat  
10/30/2025 A. Lund Rev. -

No. 124-1350