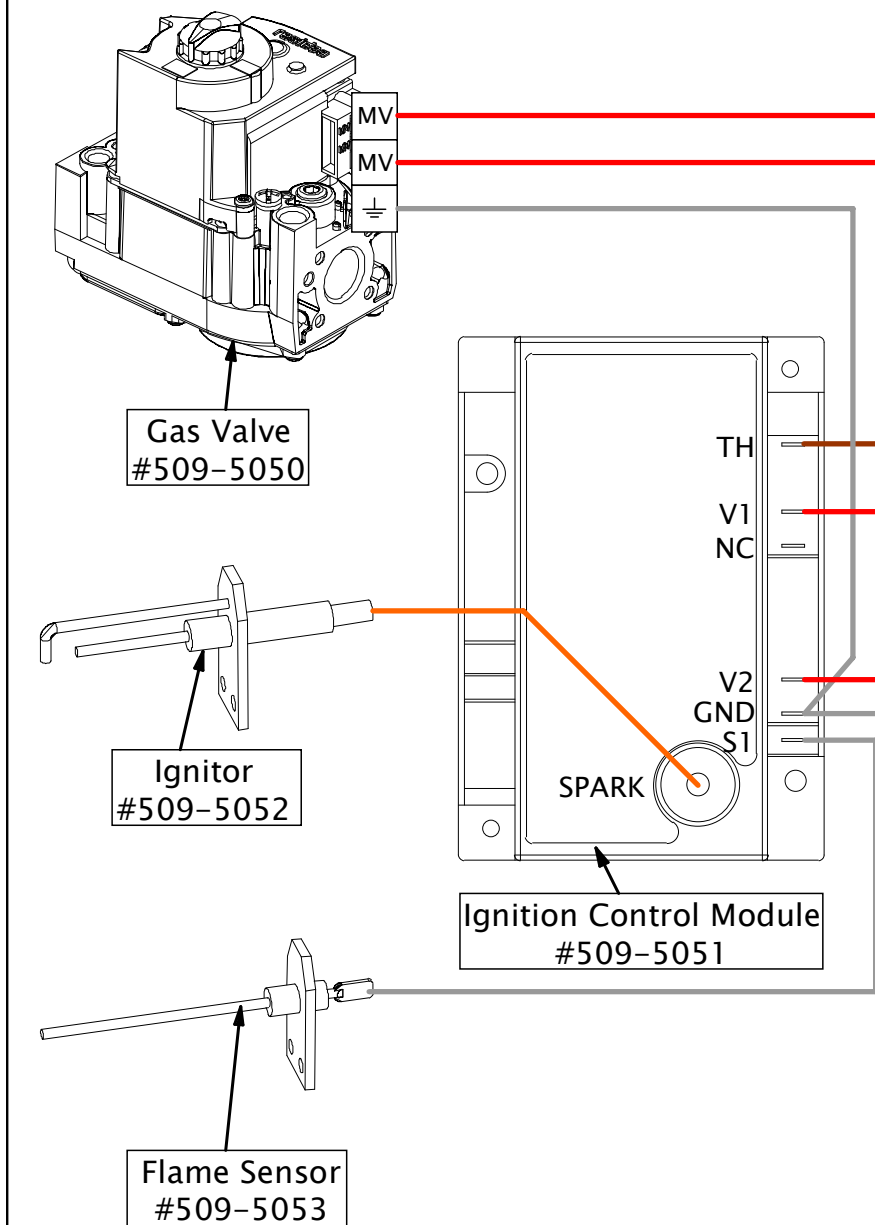
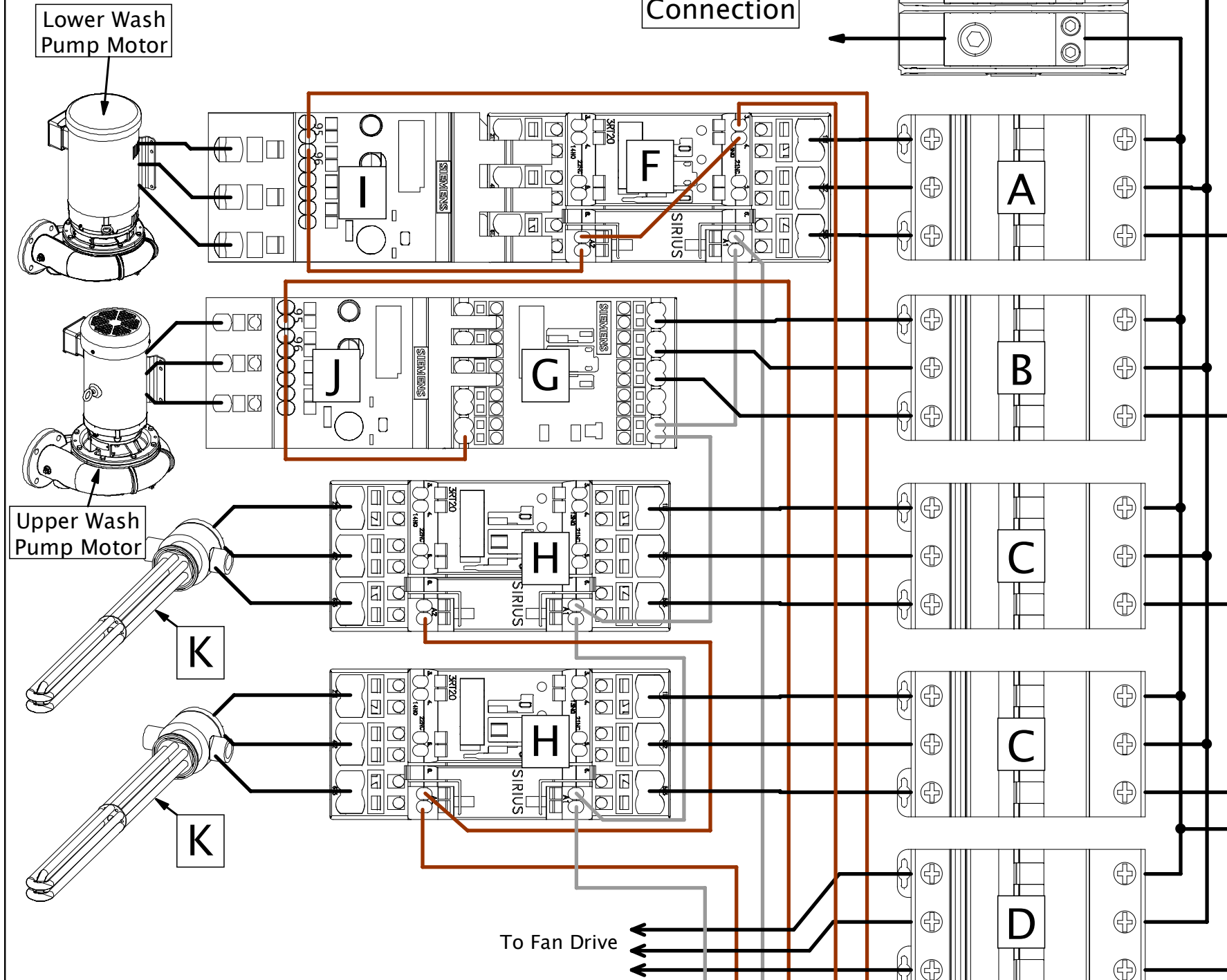
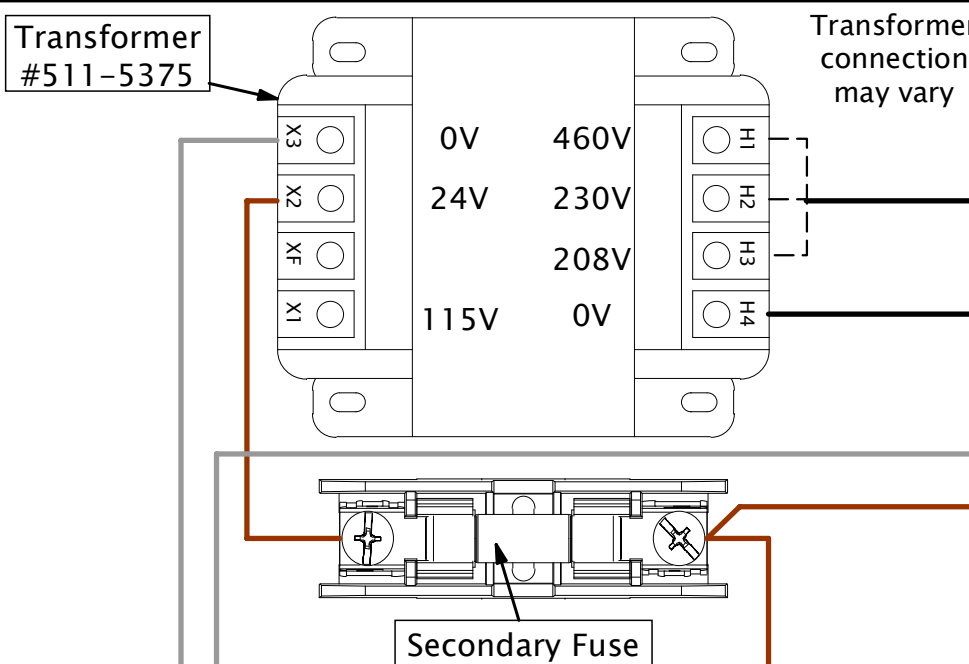


Incoming Power Connection

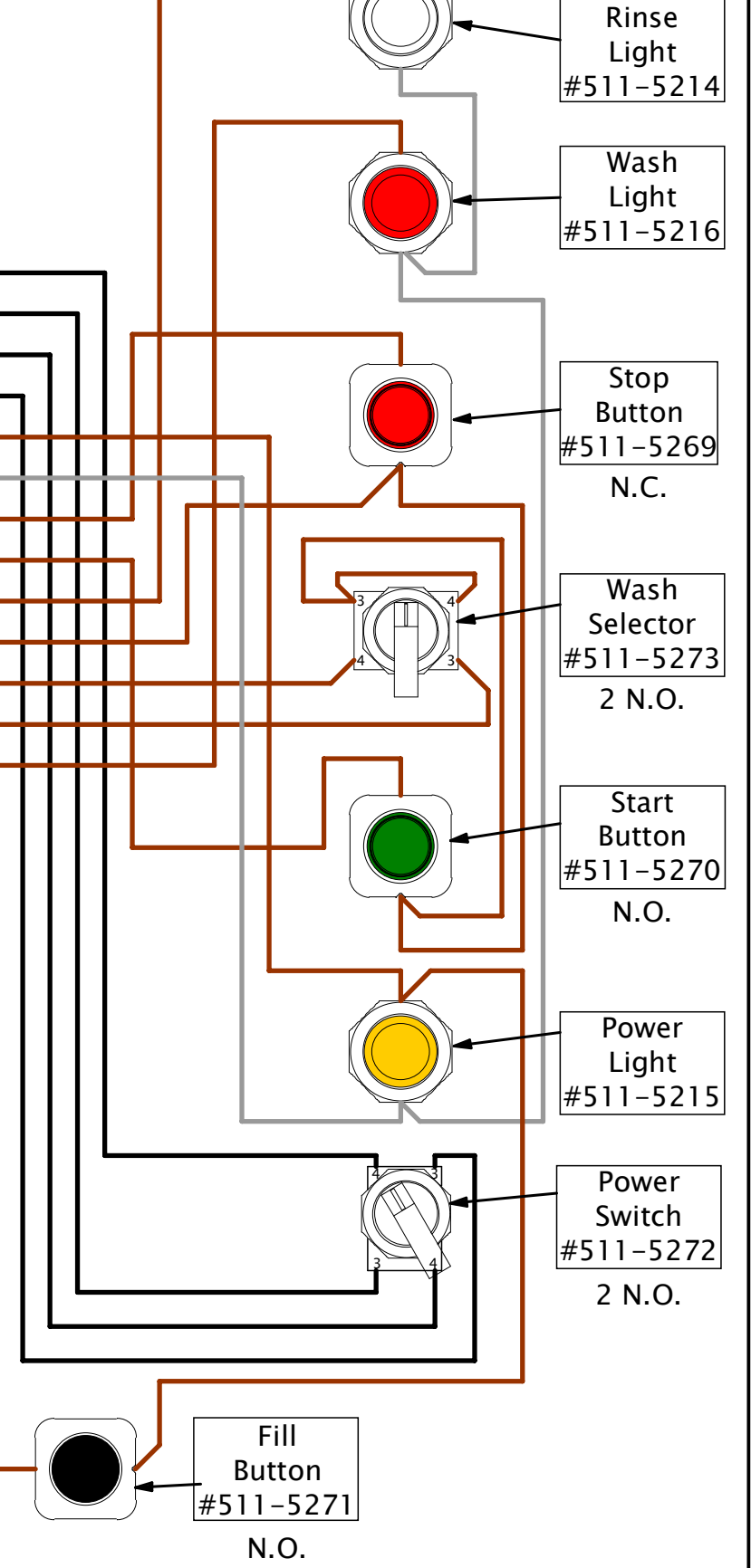
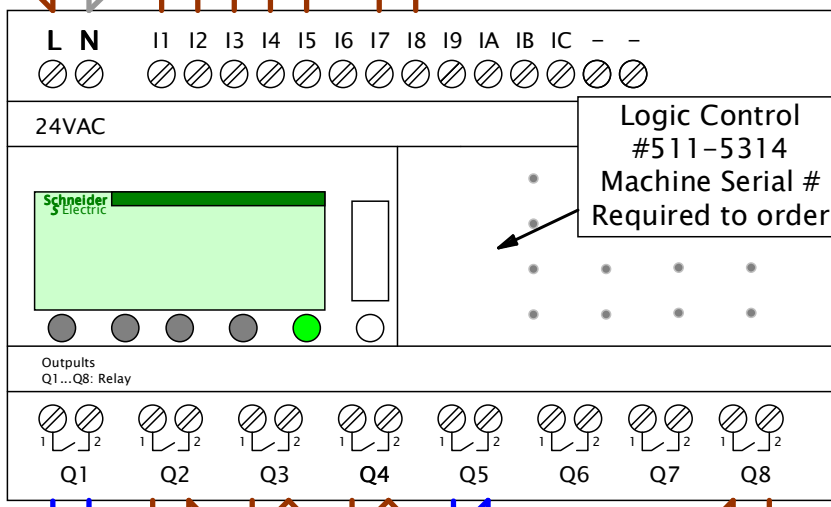


Control Panel Legend

Line	Common
24VDC	24VAC

External Wires May Vary

Primary Fuses



Terminal Strip: SOAP P2 P1 T3 T4 W R C H T1 T2 1 4

Fuse Table

Voltage	Fuse Rating	Part #
208V/230V Primary	2 Amp	511-5045
460V Primary	1.5 Amp	511-5376
24V Secondary	6 Amp	511-5377

ITEM	DESCRIPTION	PART # (208V/230V)	PART # (460V)
A	Lower Pump Breaker	511-5347	511-5343
B	Upper Pump Breaker	511-5343	511-5341
C	Rinse Heat Breaker	511-5347	511-5343
D	Fan Breaker	511-5340	
E	Wash Heat Breaker	511-5338	
F	Lower Pump Contactor	511-5295	511-5293
G	Upper Pump Contactor	511-5293	511-5291
H	Rinse Heat Contactor	511-5294	
I	Lower Pump Overload	511-5307	511-5304
J	Upper Pump Overload	511-5304	511-5302
K	Rinse Heating Element	509-5220 (208V) 509-5221 (230V)	509-5224
L	Fan Drive	511-5355	511-5356

Logic Control

Inputs	Outputs		
I1	Float Switch	Q1	Low Speed Fan
I2	Door Switch	Q2	Wash Light
I3	Stop Button	Q3	Pump
I4	Start Button	Q4	Rinse/Fill & Gauge Solenoids
I5	Light Wash	Q5	Fan
I7	Heavy Wash	Q8	LWCO
I8	Fill Button		



Parts List

NOT TO SCALE



LVO Manufacturing, Inc
808 N 2nd Ave E
Rock Rapids, IA 51246
Phone: (712) 472-3734

Name: RW1548 Gas Heat

10/29/2025 A. Lund

Rev. -

No. 124-1355